

C A R E E R  
 Rev. 112004, Mar. 4)  
 Correct CW-T  
 (YDSTX-04026)

3RD ANGLE PROJECTION

FIGURE DIMENSION  
 ST. CODE  
 AND  RADIAL

3D-CAD	
NOTICE	/
4-DRAWING	/
3-DRAWING	/
2-DRAWING	/
1-DRAWING	/
CHECKED	/
DRAWN	/
DESIGNED	/
APP. IN CHARGE	/
MANAGER	/
SEC. MANAGER	/
CHK. IN CHARGE	/
CHK. MANAGER	/
CHK. IN CHARGE	/
CHK. MANAGER	/
CHK. IN CHARGE	/
CHK. MANAGER	/
CHK. IN CHARGE	/
CHK. MANAGER	/
CHK. IN CHARGE	/
CHK. MANAGER	/
CHK. IN CHARGE	/
CHK. MANAGER	/

WEIGHT (RAW)		WEIGHT (CALC.)		SCALE	
kg	4.31	kg	4.31	SCALE	1:4
g	4310	g	4310	SCALE	1:4
g	4310	g	4310	SCALE	1:4
g	4310	g	4310	SCALE	1:4
g	4310	g	4310	SCALE	1:4
g	4310	g	4310	SCALE	1:4
g	4310	g	4310	SCALE	1:4
g	4310	g	4310	SCALE	1:4
g	4310	g	4310	SCALE	1:4
g	4310	g	4310	SCALE	1:4

DESIGNED	DRAWN	DATE	Y.M.D	NAME
K. Honda	E. Adachi	2003.9.10		

CHECKED	SPECIALIST	QTY	MATERIAL

MANAGER	SEC. MANAGER	CHK. IN CHARGE	CHK. MANAGER

OUTLINE

YANMAR CO., LTD. ENGINE PRODUCT OPERATIONS DIV.

**YANMAR**

CODE B3-29649-0040

DRAW SIZE A1

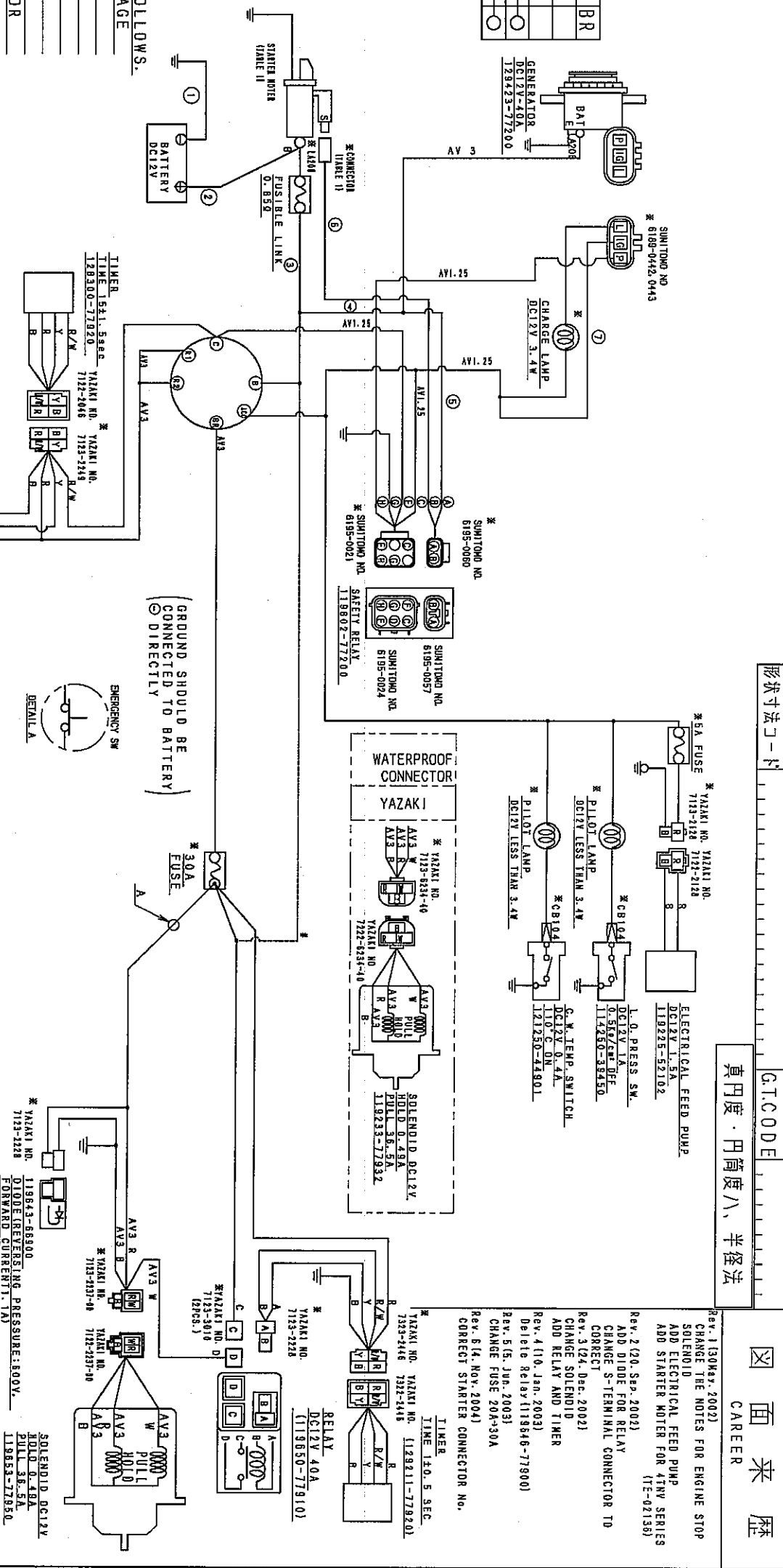
MARK COLOR table with columns for MARK and COLOR. Includes options like B Black, W White, R Red, L Blue, G Green, Y Yellow, Br Brown, Lg Light Green, Sb Sky blue, O Orange, P Pink, Gr Gray, R/W Red/White.

KEY SW. DIAGRAM table with columns for START, ON, OFF, PRE-HEATING, and R1/R2/ACC/C/BR.

TABLE 1 STARTER/STARTER S TERMINAL CONNECTOR. Lists part numbers for DC12V-1.2kW, DC12V-1.4kW, DC12V-1.7kW, and DC12V-2.3kW. Includes YAZAKI and LAM01 references.

NOTES 1. WIRING OF STARTER MUST BE OBSERVED AS FOLLOWS. OTHERWISE IT CAUSES MISS STARTING OR DAMAGE OF STARTER MOTOR.

NOTES FOR ENGINE STOP SOLENOID 1. PERMISSIBLE RESISTANCE OF SOLENOID CIRCUIT SHOULD BE LESS THAN 0.07Ω TO GUARANTEE PERMISSIBLE LOWEST VOLTAGE 9V TO WORK SOLENOID (PULL COIL).



REMARKS 1. \* MARKED PARTS ARE NOT PROVIDED BY YANMAR.

NOTES 1. PERMISSIBLE RESISTANCE OF SOLENOID CIRCUIT SHOULD BE LESS THAN 0.07Ω TO GUARANTEE PERMISSIBLE LOWEST VOLTAGE 9V TO WORK SOLENOID (PULL COIL).

WIRING DIAGRAM table with columns for MATERIAL WEIGHT, PNEUMATIC TEST, and SCALE. Includes a signature and date.

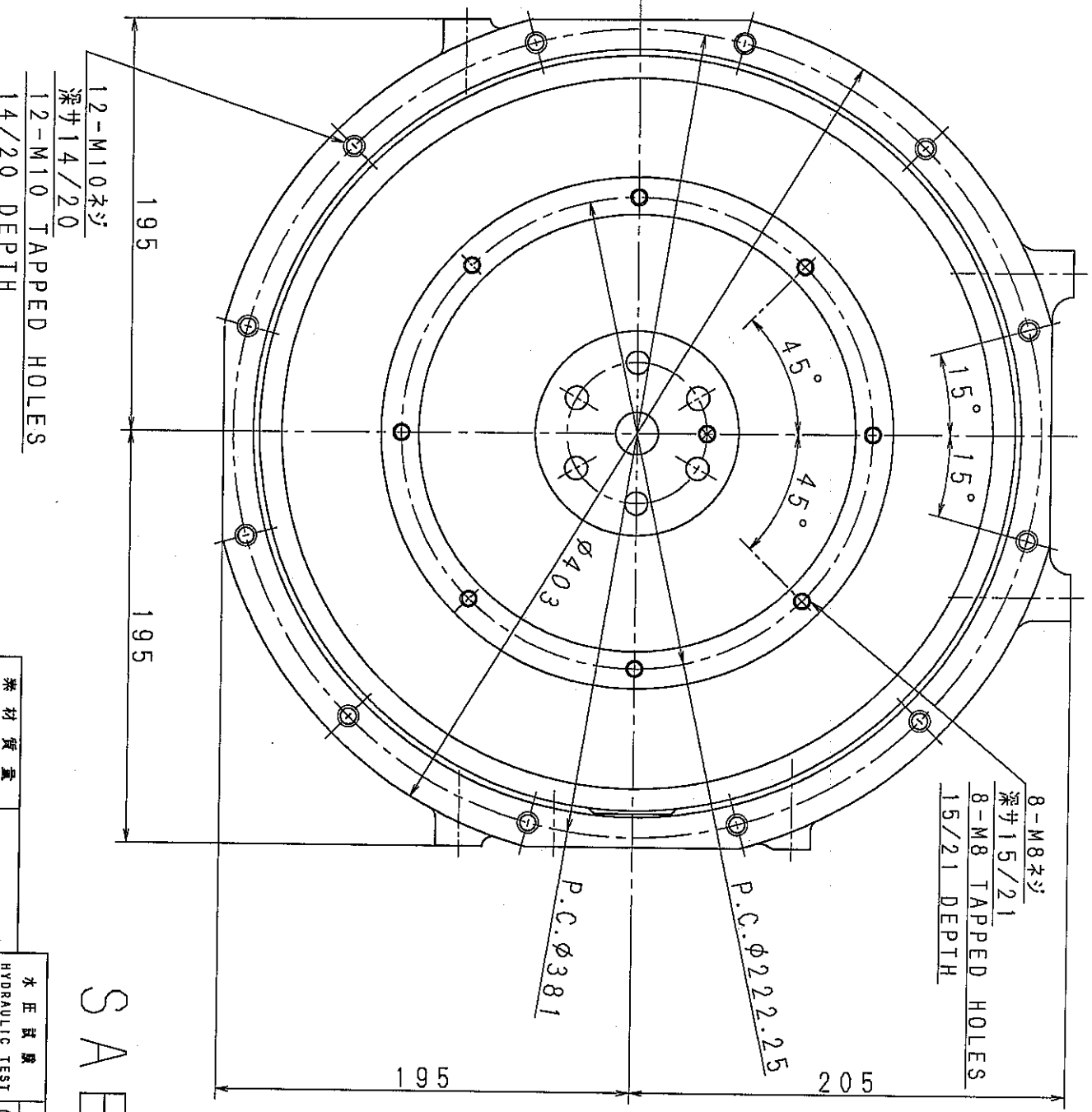
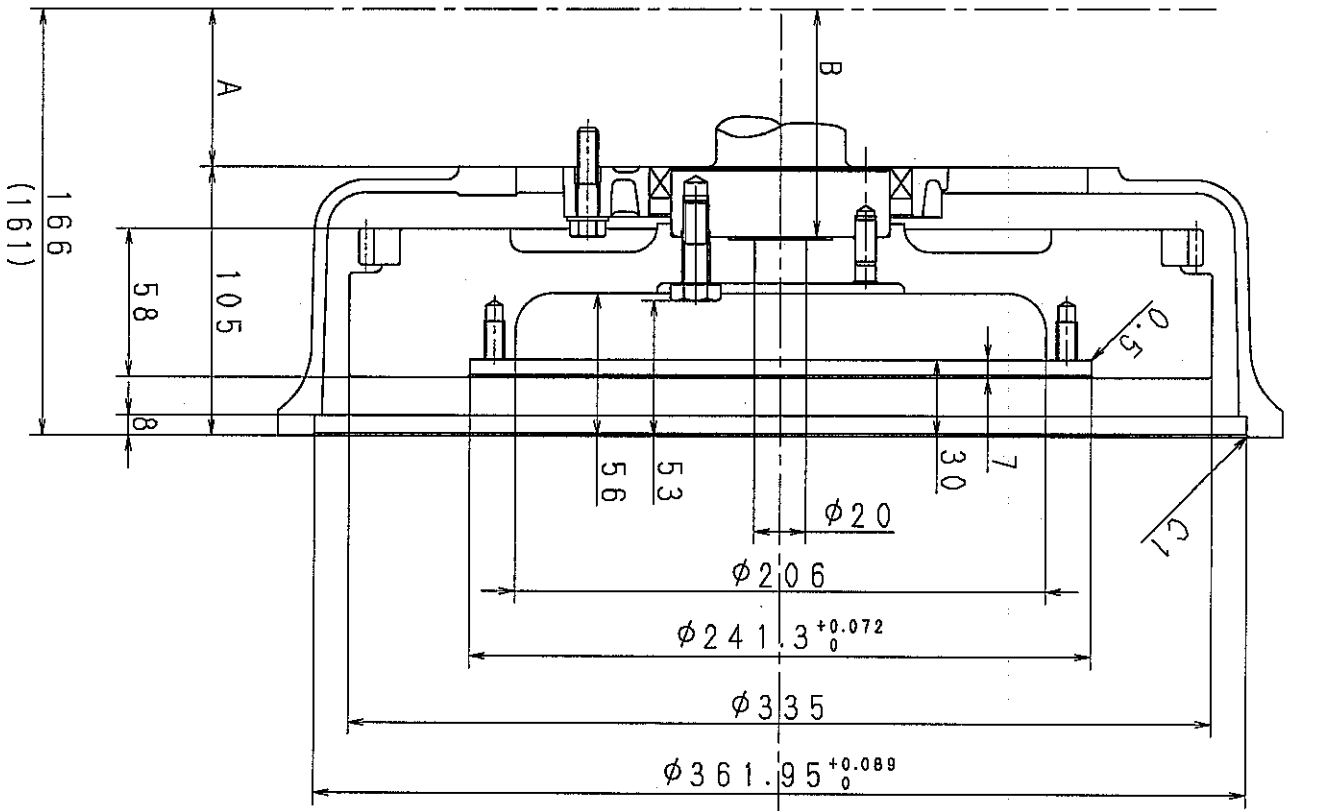
要	購買仕様書	検査基準書	品質管理工程図	特別管理部品	量産初期安定管理部品
181	4NT 40.1	25092E 1000NT 40.6	18NT 41E		
493E	18NT 40.2	100092E 2000NT 41.2	1032E 50NT 430°		
1832E	63NT 40.3	200092E 4000NT 42.0	5032E 120NT 420°		
6332E	250NT 20.5		12032E (4°)		

18NT 41E	1032E 50NT 430°		
5032E 120NT 420°	12032E (4°)		

形状寸法コード	G.T.CODE M	真円度・円筒度八、半径法
---------	------------	--------------

3RD ANGLE PROJECTION	三 角 法
CAREER	面 来 歴
(2003.10.24)	
CAD北新調文加。	
Rev. 1 (104.3.3)	
Add TNV DI (YOSTX-04025)	

NO. 1 CYLINDER CENTER  
NO. 1 シリンダ中心



SAE # 4

MODEL	DIMENSION A	DIMENSION B	FLYWHEEL HOUSING	FLYWHEEL CMP	FLYWHEEL	RING GEAR
3TNE78A, 82A	56	83.5	171420-01600	171301-21590	171301-21400	124550-21600
3TNE84, 88	61	88	171340-21590	171340-21400	171340-21400	↑
4TNE84 (T), 88	61	88	171420-21590	171420-21400	171420-21400	↑
3TNV82A	56	83.5	171420-21590	171420-21400	171420-21400	↑
3TNV84 (T), 88	61	88	171340-21590	171340-21400	171340-21400	↑
4TNV84 (T), 88	61	88	171420-21590	171420-21400	171420-21400	↑

設計 DESIGNED 清水	図面 DRAWN 清水	年月日 DATE 2003 10.24	名称 NAME 直結部詳細図
検査 CHECKED 野村	検査 SPECIALIST 野村	主任 SEC. MANAGER 野村	機種 MODEL DETAIL
完成重量 WEIGHT (RAW)	完成重量 WEIGHT (NET)	空圧試験 PNEUMATIC TEST	材料 MATERIAL
主幹 14	主任 野村	機種 MODEL DETAIL	数量 QTY.
YANMAR CO., LTD.	ENGINE PRODUCT OPERATIONS DIV.	直結部詳細図	直結部詳細図
CODE Z3-71301-0031	REV. 1	SCALE 1/2	図 A2